



CONTEMPORARY

Witchgarden
PRODUCTS

BRING THE OUTDOORS IN WITH
COMPOSITE DECKING



WE ARE INSPIRED BY NATURAL FORMS AND ECO MATERIALS

Composite decking is durable, versatile and works well in both wet and dry conditions. When considering commercial environments, there's no better option.



BRING THE OUTDOORS IN

Composite decking is the ultimate way to bring the outside in whilst extending your living area. Not only does composite decking look extremely natural, but it also offers a durable and eco-friendly alternative to other decking options.

Composite decking can become an extension of your home, taking your indoor living area outside. This adds value and provides you with more space to unwind with family and friends. Composite decking can be used in a number of different ways and it truly fits to your lifestyle and needs; the design possibilities are endless. Whether you choose to include layers, patterns and all different style boards you will be left with a beautiful addition to your outdoor living space.

At Witchgarden Products we work hard to ensure our composite decking meets all of your needs. As decking options have evolved we are now able to offer affordable and versatile composite decking that ticks all the boxes in both looks and practicality.

For high quality decking at affordable prices, choose Witchgarden Products.



15 YEAR WARRANTY



EASY INTALLATION



REALISTIC WOOD GRAIN



LOW MAINTENANCE



CHILD FRIENDLY



PET FRIENDLY



FSC COMPLIANT



ULTRA VIOLET STABLE

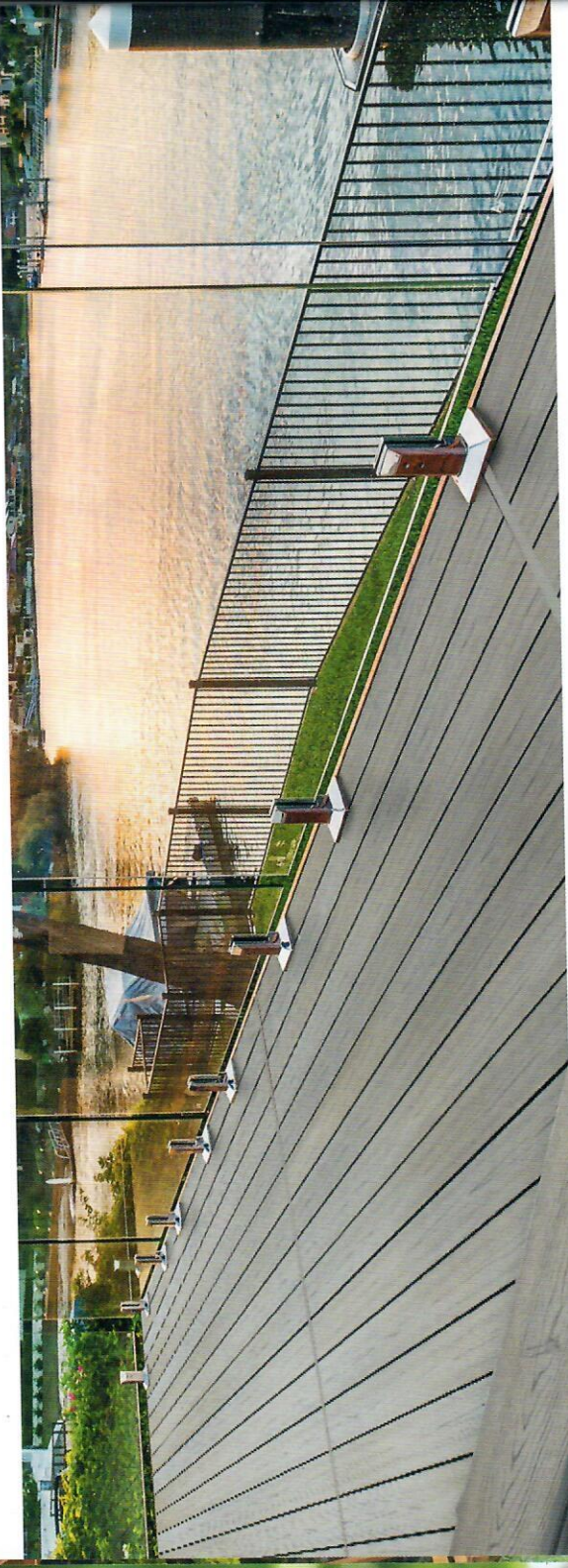
OUR CONTEMPORARY RANGE OF DECKING

Our Contemporary Range of composite decking consists of 4 gorgeous shades of slip-resistant decking which will help create your dream outdoor space.

Choose from ash grey, slate, brown or teak decking, each of which is available in a high quality finish proven to stand the test of time.



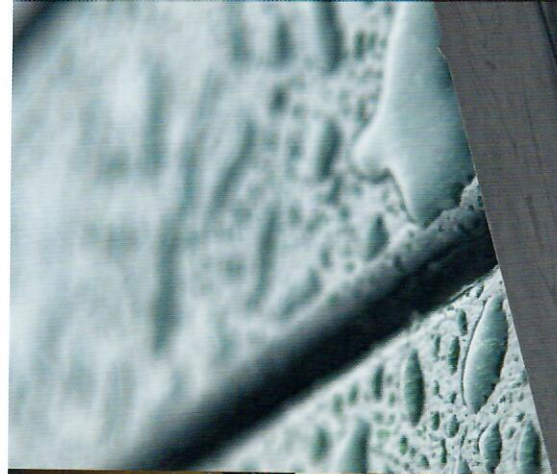
WITCHGARDEN PRODUCTS - BRINGING THE OUTDOORS IN



ASH GREY

A versatile shade and a great choice for your decking, adding style and simplicity to your garden and working perfectly with a host of different colour schemes and garden styles.





SLATE

The incredible dark grey shade is an exceptionally on-trend colour choice, offering a neutral hue which will blend in with a range of other different shades, whilst simultaneously being beautiful enough on its own.

WITCHGARDEN PRODUCTS - BRINGING THE OUTDOORS IN



TEAK

A gorgeous shade of light brown which has a stunning likeness to natural wood, a classic aesthetic of an outdoor wooden deck.





BROWN

The gorgeous shade of rich brown has a striking sun-kissed look, offering a wonderful shade which is beautiful enough to stand out on its own.



ACCESSORIES



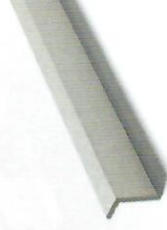
HIDDEN FIXINGS

- 180 T shape clips with screws.
- Pozzi drive piece.
- 1 box installs 10m².
- Strong nylon material.



STARTER CLIPS

- 5 black clips with screws.
- Easy installation for first board.
- Steel black finish.
- Comes with the box of Hidden Fixings.

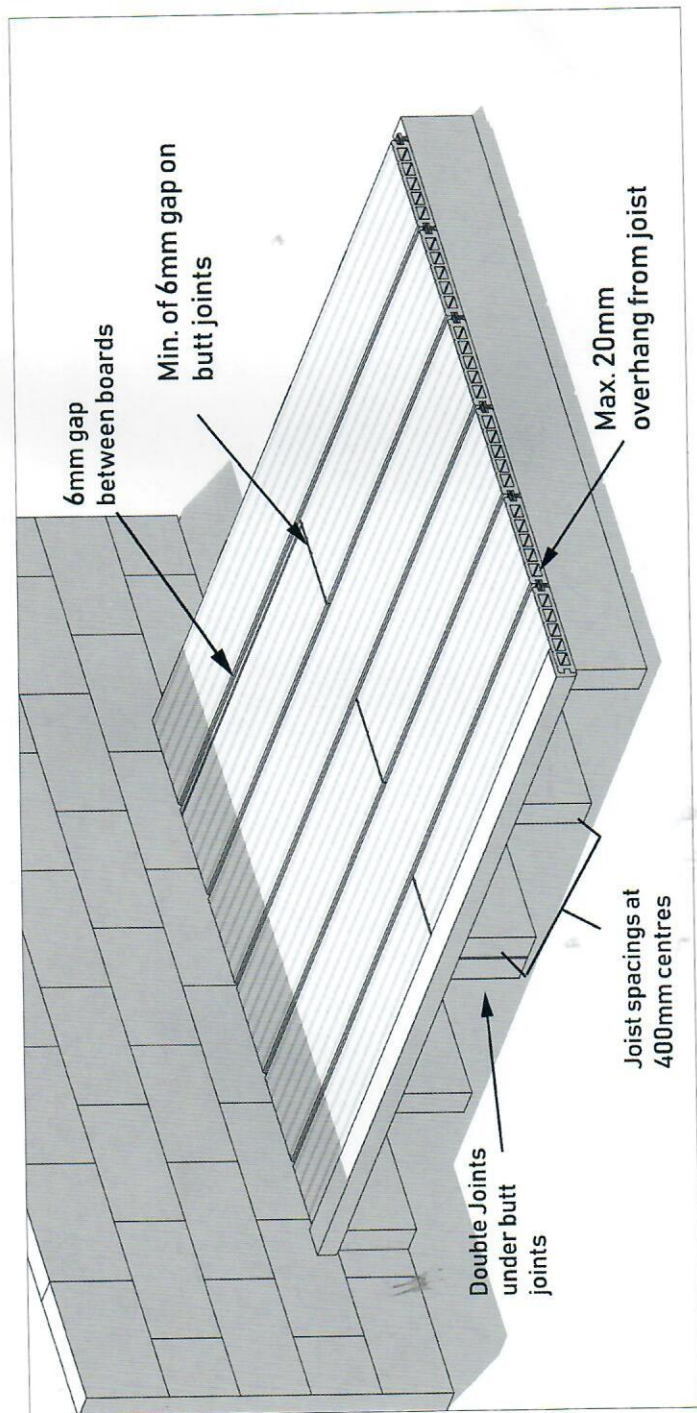


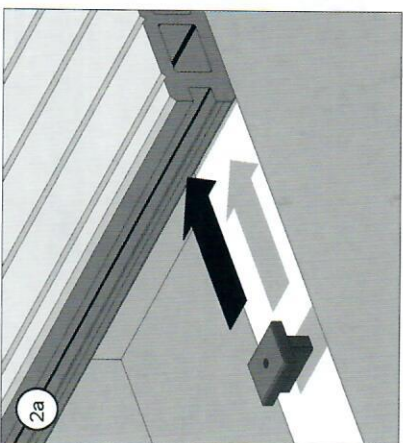
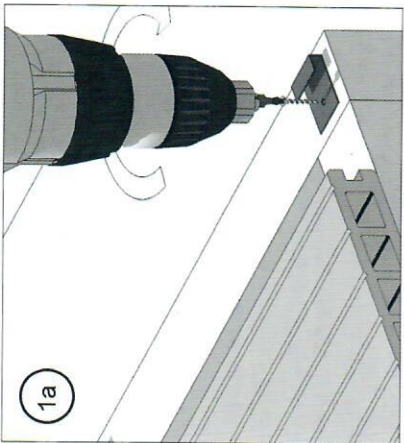
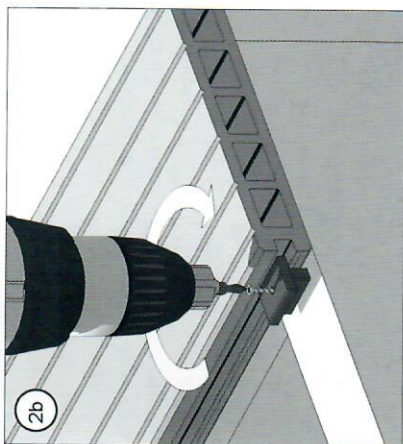
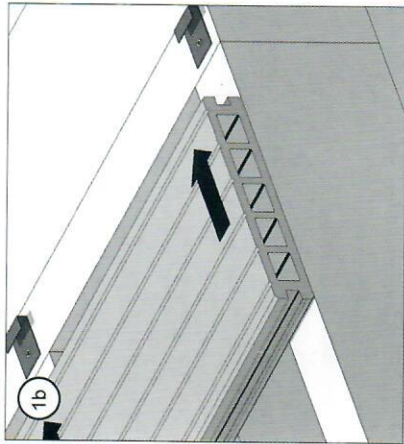
'L' SHAPE TRIM

- 48mm x 30mm profile.
- 3.6m in length.
- Matching colours.
- Gives a tidy finish to all decking.



BASIC FITTING INSTRUCTIONS





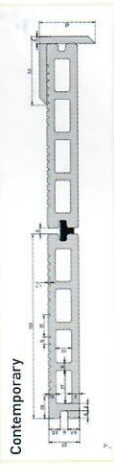
SPECIFICATION

Contemporary	
Board Dimensions	
Length	2.9m & 3.6m
Width	150mm
Depth	25mm
Finish	Wood Grain & Grooved
Weight	7.7kg & 9.5kg
Coverage	0.435m ² & 0.54m ²
Dual Sided	Yes
Colours	4
Matching Trim	Yes
Square Edge Board	Yes
Hidden Fastening System	Yes
Material	Composite
Joist Span	400mm (90°) & 300mm (45°)
Board Gap	6mm
Use	Domestic

Composite Mix

30%	HDPE (High Density Polyethylene) - Recycled Product
60%	Wood Powder - Recycled Product
10%	Additives (Anti UV agent, Anti Oxidant agent, Stabilizers, Colorants, Anti Fungus agent, Reinforcing agent)

Laid Decking Measurements



15 YEAR WARRANTY



EASY INSTALLATION



REALISTIC WOOD GRAIN



LOW MAINTENANCE



CHILD FRIENDLY



PET FRIENDLY



FSC COMPLIANT



ULTRA VIOLET STABLE



90% RECYCLED PRODUCT



ENVIRONMENTALLY FRIENDLY

MAINTENANCE AND CARE

WITCHDECK PRODUCTS ARE DESIGNED AND MANUFACTURED TO BE VERY LOW MAINTENANCE, HOWEVER A LITTLE CLEANING CAN HELP KEEP YOUR OUTSIDE SPACE LOOKING NEW FOR LONGER.

Witchdeck can be washed with either soapy water and a soft brush or with a power washer. You should always spray in the direction of the grain of the boards and use a fan tip nozzle (min. 15cm from surface).

As well as periodic cleaning, ensure that water drains effectively from your deck with appropriate drainage slope and gaps between boards. When your deck appears clean, it is still important to prevent build-up of pollen and debris.

Please note that Witchdeck products are manufactured to be UV stable, some initial lightening may occur as the product naturally weathers over the first 8-10 weeks.

The Witchdeck manufacturing process is engineered to inhibit mildew growth and staining. Despite this, mildew stains can still occur where moisture and dirt or pollen is present. Stains can be cleaned with soap or household de-greasing agent and warm water. Scrub and soak the affected area as soon as the stain occurs to ensure best results, then rinse off with warm water.

For more stubborn stains we recommend using a composite specific cleaner for more effective stain removal. With more stubborn stains and slight scratches, you may want to use coarse sandpaper (60-80 grit) and sand lightly (always test on a small inconspicuous area and stay in the direction of the grain of the product).

Due to the wood content in Witchdeck, like any wood-based product, it may experience a naturally occurring process called Extractive Bleeding (known as tea staining). This process can cause a temporary discoloration that will fade with time.

Always take care when moving plant pots or furniture, etc. around your deck, use protective feet pads where necessary. Surface scratches and abrasions will fade after weathering. Minor scratches and marks can be eliminated by using a soft wire brush or wire wool. Simply brush or rub in the direction of the grain on the product until the mark has gone. The treated area will weather back in approximately 8-10 weeks. Take care if treating wood grain patterned board, not to remove the grain effect and always test a small inconspicuous area first.